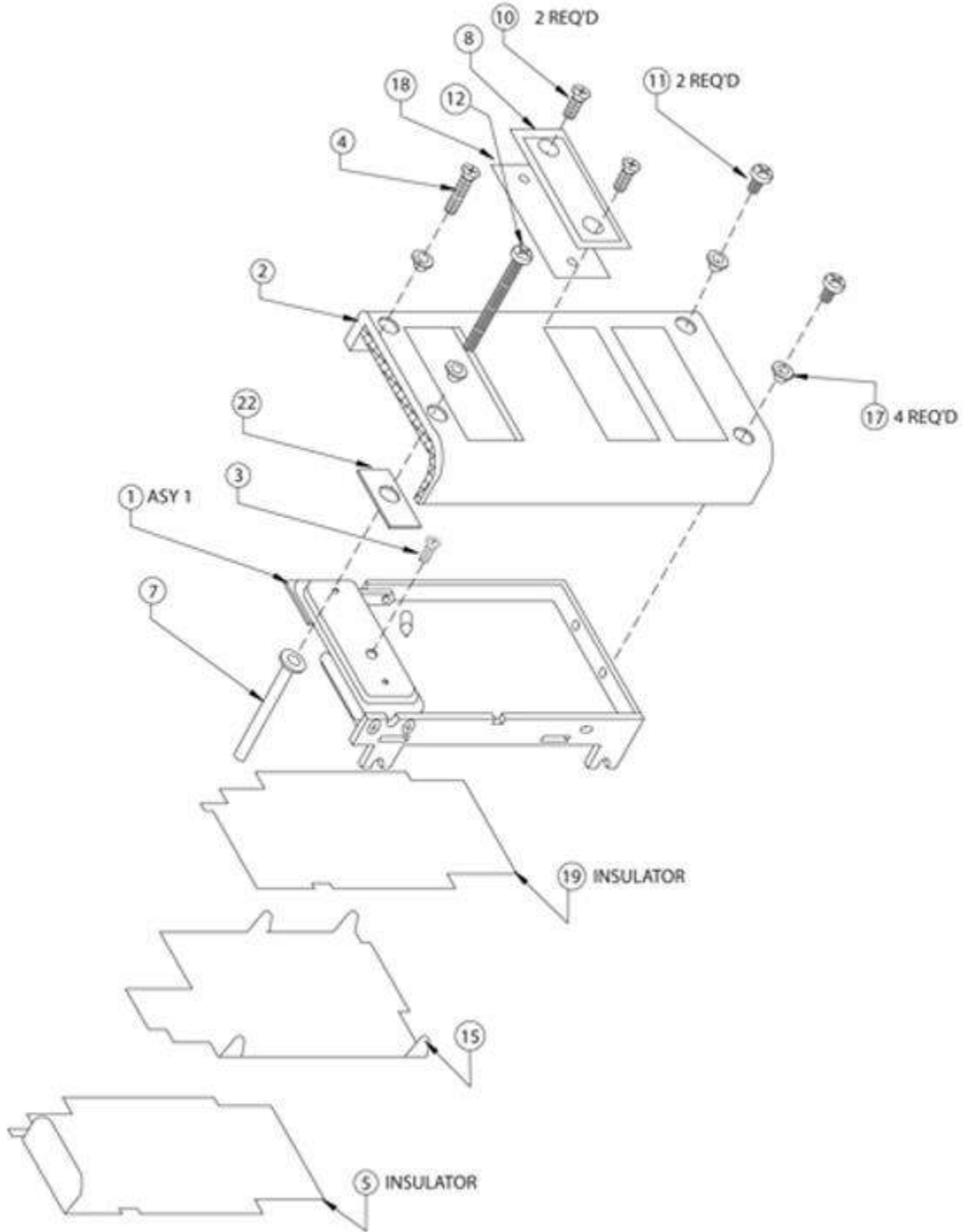


DPH/GPH/EPH/LPH Parts Lists Back Assembly



Vincent Communications Inc – (559-292-7010) – www.vincentcom.com

Ref #	Part #	Description
2	1411-50702-007	Back Cover, Lexan, 5W, Black
2	1411-50702-000	Back Cover, Lexan, 5W, Gray
2	1411-60701-304	Back Cover, Metal, 5W, Gray
2	1411-60701313	Back Cover, Lexan, No Cut-out, Black
2	1411-60701-312	Back Cover, Metal, 5W, Black
3	2803-30668-136	Scr, MS, 4-40, x 5/32, H, BHC, SS
4	2820-30603-018	Scr, MS, M2.5X.45X23, T1CR
5	3106-20036-000	Insulator, Sys-BD
6	2830-20028-401	Clip, 2-56, Tin, Plate
7	2800-20026-900	Standoff, .113ID
8	1411-40004-800	Plate, Mold, W/C'SINK HOLES
10	2820-20031-405	Screw, M2.5X5.0, FHP
11	2820-30603-017	Scr, MS, M2.5X.45X8
12	2820-30603-019	Scr, MS, M2.5X.45X35
15	2508-30904-302	Shield, w/ Finish, Modified - DPH
17	2844-20035-201	Washer, Shoulder
18	2512-20034-000	Gasket, Heatsink
19	3110-30904-401	Insulator, Rx/Tx Board, GPH