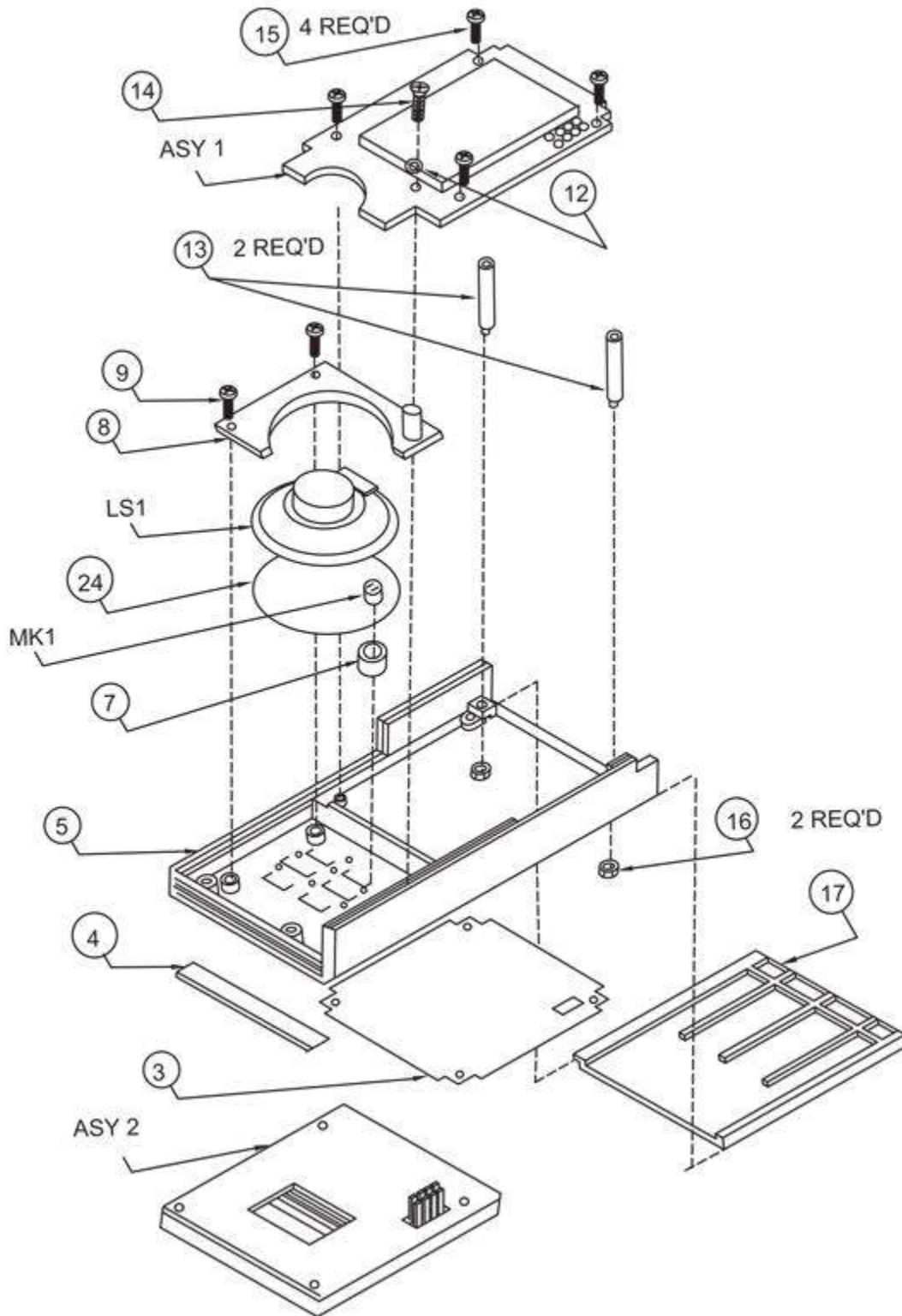


## DPH/GPH/EPH/LPH Parts Lists Front Assembly



Vincent Communications Inc – (559-292-7010) – www.vincentcom.com

| <b>Ref #</b> | <b>Part #</b>  | <b>Description</b>                         |
|--------------|----------------|--|
| 3            | 2512-20034-101 | Gasket, Kybd-Display                       |
| 4            | 1411-60278-406 | Inlay, Nameplate_Digital, No Pin           |
| 4            | 1411-60278-404 | Inlay, Nameplate_BK Radio                  |
| 5            | 1411-60701-203 | Cover,Front,MH,Black, Metal                |
| 5            | 1411-60704-507 | Cover,Front,MH,Black, Lexan                |
| 5            | 1411-60701-201 | Cover,Front,MH,Gray, Metal                 |
| 5            | 1411-60704-502 | Cover,Front,MH,Gray, Lexan                 |
| 7            | 1411-40001-800 | Bushing, Mic, Molded, EP                   |
| 8            | 1411-40006-100 | Spkr, Clip, Molded, EP                     |
| 9            | 2807-30298-011 | Scr, SIMMS, 2-56, 3/16                     |
| 12           | 2843-00000-002 | Washer, #2,Split-Lock,(Metal Case)         |
| 13           | 2813-20027-702 | Standoff, LPU/MPU                          |
| 14           | 2801-00437-006 | Scr, MS, 2-56, X7/16                       |
| 15           | 2816-30434-007 | Plascrew,2x1/4,                            |
| 17           | 1411-50702-304 | Door, Keyboard, Black                      |
| 18           | 1310-30956-000 | Mic Cart,elec.                             |
| 19           | LAA0653        | GPH (non flash units) Display assembly     |
| 19           | LAA0653F       | Keypad Assy,Alpha,GPH(flash units)/DPHX    |
| 19           | LAA0650        | Keypad Assy, Alpha, E-Series               |
| 19           | LAA0651        | Keypad Assy, Numeric, E-Series             |
| 19           | LAA0655        | Keypad Assy, CMD                           |
| 19           | LAA0654        | DPHXX/GPHXP Alpha/Numeric Display assembly |
| 20           | 1301-20034-702 | Spkr, 8 Ohm, 1 W,                          |
| 21           | N/A            | Option Board Assembly                      |
| 24           | 1406-20033-800 | Grill, Cloth-Speaker                       |